

# PUREAU FITTING INSTRUCTIONS GUIDE

## Pureau1/ Pureau 2/ Pureau 3 (including H+) and Commercial 80

### PLEASE LEAVE THIS DOCUMENT WITH THE CUSTOMER FOR FUTURE REFERENCE



Pureau 1 (including H+)

Pureau 2 (including H+)

Pureau 3 (including H+)

Pureau Commercial 80

## ALL MODELS

Assemble the units in order according to the diagrams. Note the flow arrow. Check all joints to ensure proper seal. PTFE tape or LS-X type thread sealant can be used (note some units are pre-assembled).

Mount the filter assembly in a suitable location after the stopcock and fit connect to the incoming water main. **DO NOT USE COPPER PIPEWORK**. Ideally also fit a non-copper bypass loop and isolation valves for servicing.

Ensure filter is mounted vertically with clearance for the bowl from each filter to be dropped when changing a cartridge (in the case of the larger unit, a hole can be cut in the bottom of a kitchen base unit to allow for height). The Pureau 2 & 2H+ can be placed on a flat surface if mounting via the bracket is not possible.

**Always use plastic pipe work in near vicinity of the filter, recommended distance of plastic pipe is a 1-meter run either side (if the unit is to be fitted adjacent to the stop cock then a small length of plastic pipe MUST be fitted between the brass fitting on the stop cock and the Pureau unit)**

**Pureau1, 2 and their H+ equivalents** are supplied with  $\frac{3}{4}$  "bsp inlets.

**Pureau3 H+ equivalent, and Commercial** has 1 "bsp inlets with optional  $\frac{3}{4}$ " reduction rings.

All units are supplied with 22mm pushfit -3/4"BSP male connections

Remember to take note of filter sequence and flow direction.

#### ATTENTION

Due to the nature of production of the resin based medias there may be a high moisture content which may seep out of the cartridge during transit.

## **WATER PRESSURE**

Maximum regulated water pressure – 4 BAR Minimum water pressure – 1.5 BAR

It is important to fit a pressure reducing valve if pressure is likely to exceed 4 BAR

### **Filter contents**

- (QTY 1) Filter 1 housing and carbon cartridge
- (QTY 1) Filter 2 housing and ceramics and resin cartridge
- (QTY 1) Filter 3 housing and ION cartridge

### **Fitting kit Pureau1 (including H+)**

- (Qty 2) 22mm- $\frac{3}{4}$  BSP Push fit Pipe Connections
- Qty (2)  $\frac{3}{4}$ - $\frac{3}{4}$  BSP Male Nipple connection
- Qty (3) Mounting Bracket + Screws
- Qty (1) Filter Spanner (Housing)
- Qty (1) Fitting Instructions

### **Fitting kit Pureau 2 (including H+)**

- (Qty 2) 22mm- $\frac{3}{4}$  BSP Push fit Pipe Connections
- (Qty 2) 1"- $\frac{3}{4}$  BSP reduction rings
- Qty (2)  $\frac{3}{4}$ - $\frac{3}{4}$  BSP Male Nipple connection
- Qty (1) Central Mounting Bracket + Screws
- Qty (2) Filter Spanners (2 sizes Housing)
- Qty (1) Fitting Instructions

### **Fitting kit Pureau 3 (including H+) and Commercial 80**

- (Qty 2) 1" BSP male nipple
- (Qty 2) 1"- $\frac{3}{4}$  BSP reduction rings
- (Qty 2) 22mm- $\frac{3}{4}$  BSP Push fit Pipe Connections
- (Qty 3) Mounting Bracket + Screws
- (Qty 1) Filter Spanners (Housing)
- (Qty 1) Fitting Instructions

## **CARTRIDGE CHANGES**

The carbon cartridge ( in filter 1) is changed every 12- months.

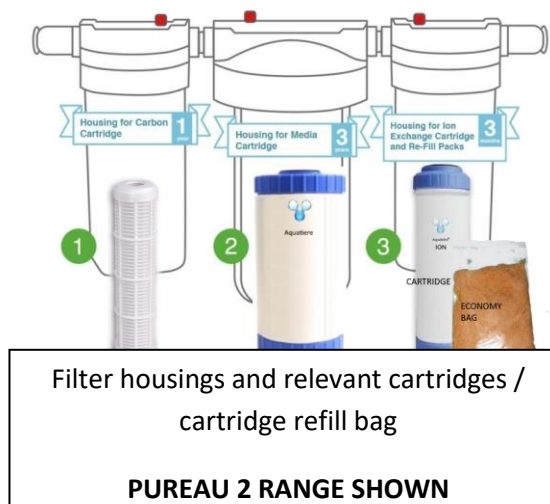
The main cartridge ( in filter 2) is changed every 3- years.

The ion exchange cartridge ( in filter 3) is changed or refilled every 2-3 months dependant on water quality and hardness in your area. (if refilling with economy bags factor in a complete new cartridge every 6<sup>th</sup> change)

**Note: these periods are for average water usage and water hardness.**

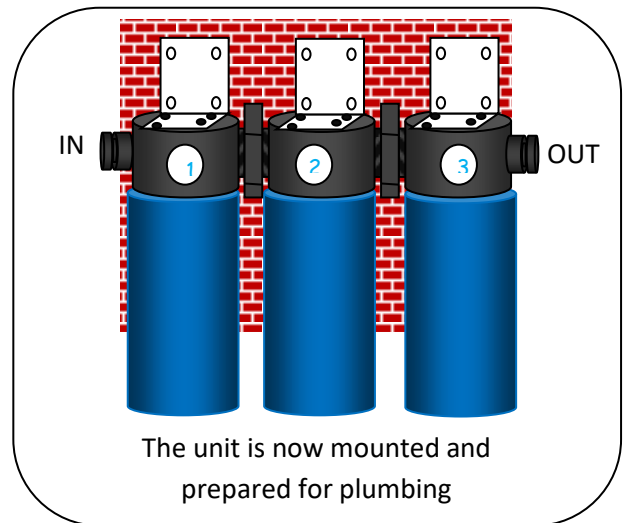
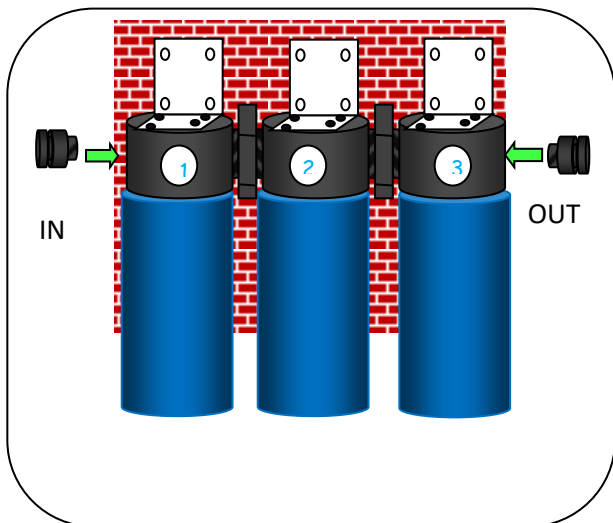
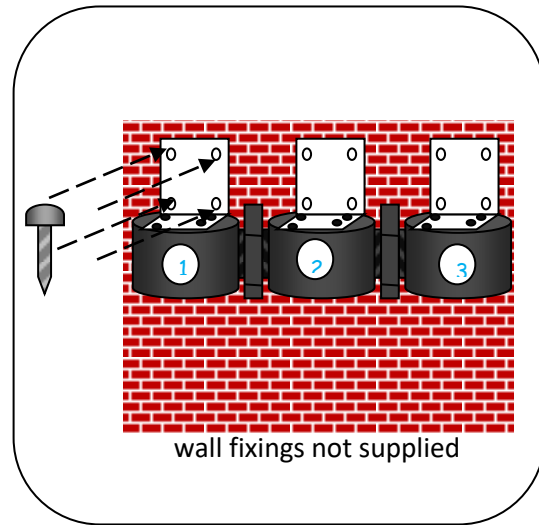
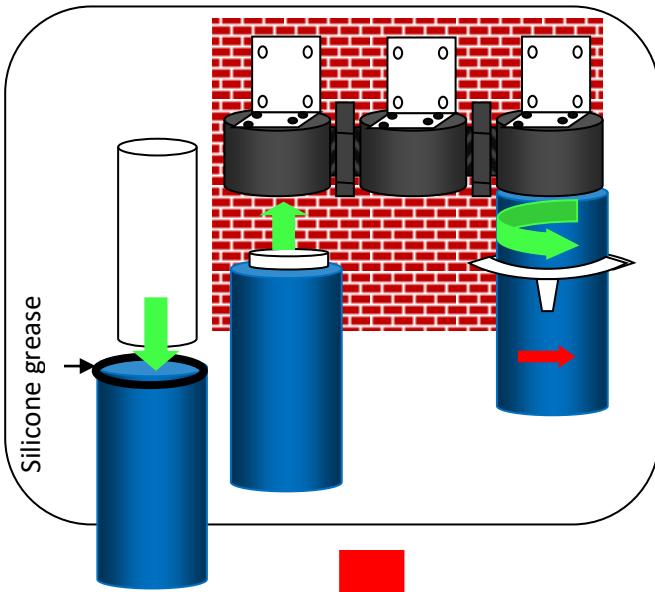
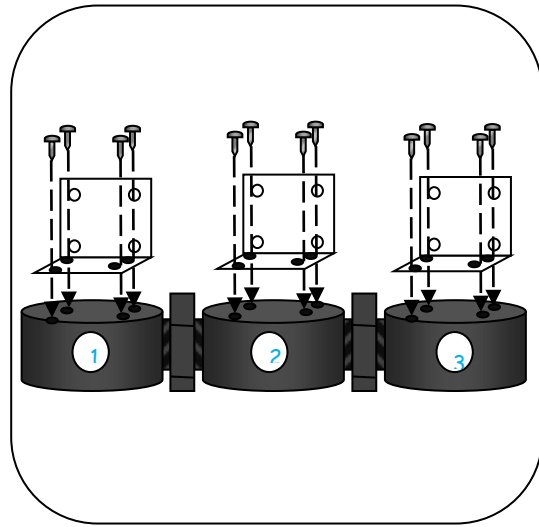
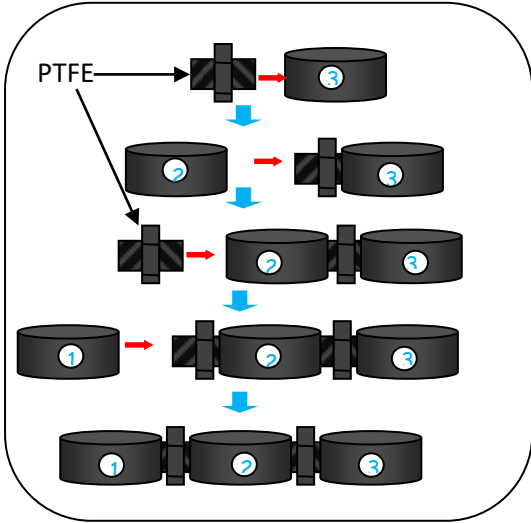
**For optimum performance always use genuine Aquatiere cartridges**

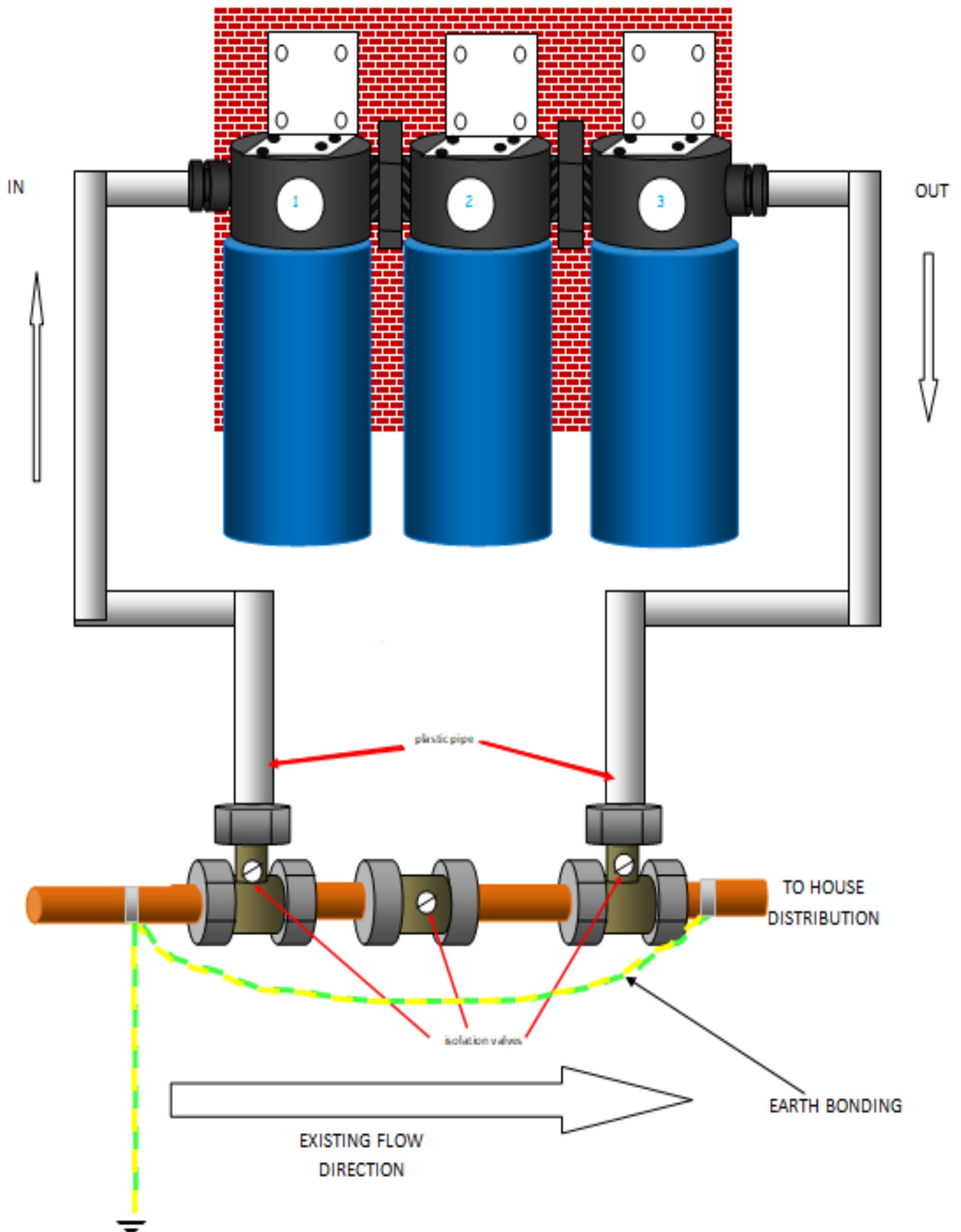
**Cartridge bundles available on our website [www.aquatiere.co.uk](http://www.aquatiere.co.uk)**



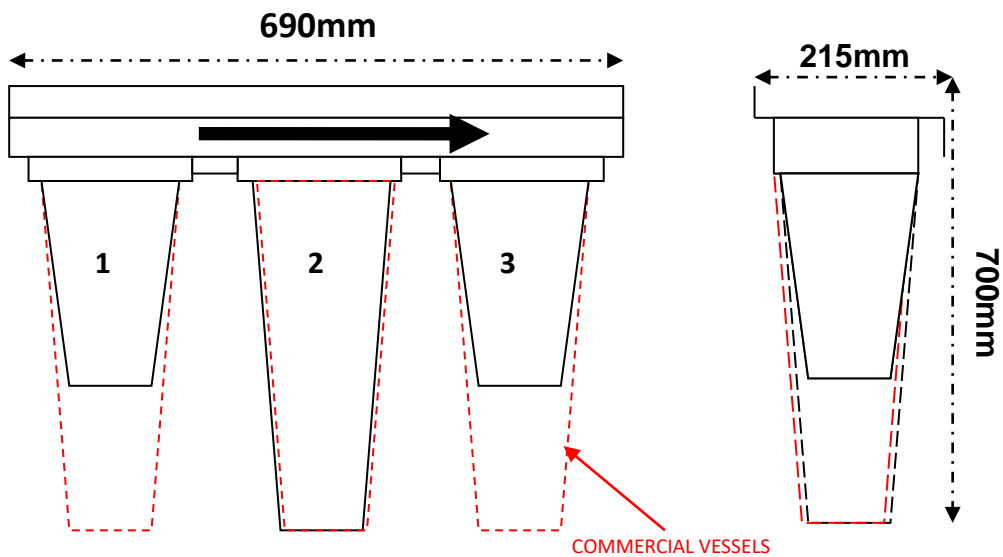
# filter assembly

use PTFE tape on all threaded connector joints and silicone grease on sump bowl o-rings

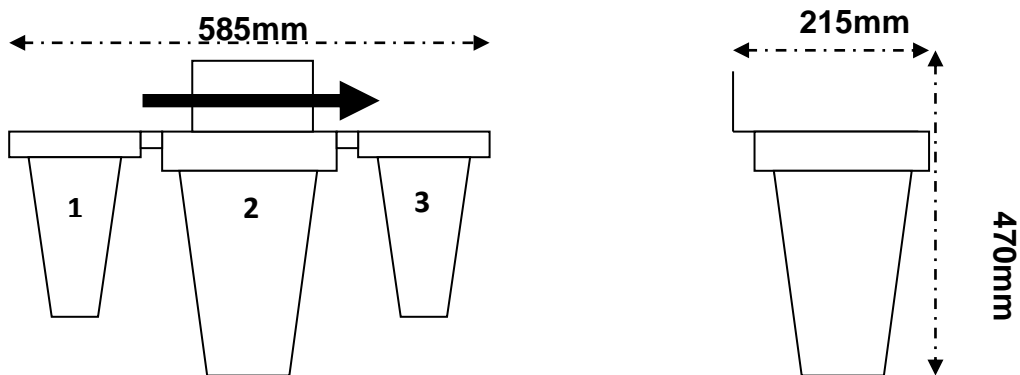




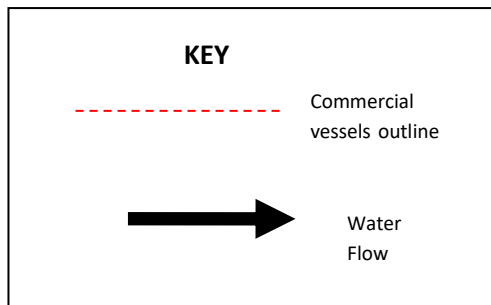
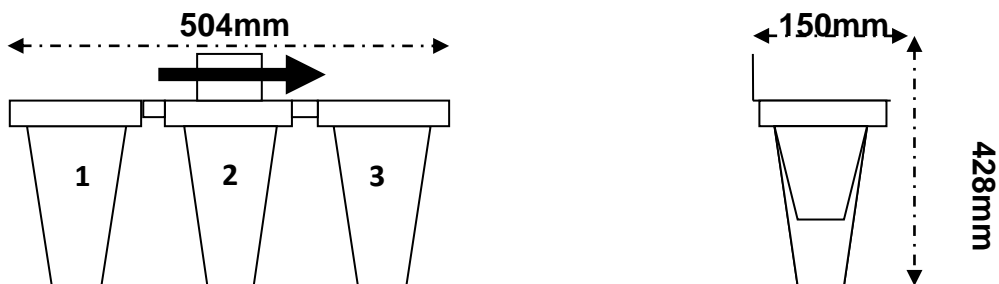
**PUREAU 3 including H+ and Commercial**



**PUREAU 2 including H+**



**PUREAU 1 including H+**




Please allow a clearance of 50mm below the bottom of the filter to allow cartridge changing

INSTALLATION DATE FITTED : .....MODEL.....

<b>INSTALLATION YEAR</b>		
<b>Filter number 1 change date</b>	<b>Filter number 2 change date</b>	<b>Filter number 3 change date</b>
N/A	N/A	
Notes:-		
<b>YEAR 1</b>		
<b>Filter number 1 change date</b>	<b>Filter number 2 change date</b>	<b>Filter number 3 change date</b>
	N/A	
Notes:-		
<b>YEAR 2</b>		
<b>Filter number 1 change date</b>	<b>Filter number 2 change date</b>	<b>Filter number 3 change date</b>
	N/A	
Notes:-		
<b>YEAR 3</b>		
<b>Filter number 1 change date</b>	<b>Filter number 2 change date</b>	<b>Filter number 3 change date</b>
Notes:-		
<b>YEAR 4</b>		
<b>Filter number 1 change date</b>	<b>Filter number 2 change date</b>	<b>Filter number 3 change date</b>
	N/A	
Notes:-		
<b>YEAR 5</b>		
<b>Filter number 1 change date</b>	<b>Filter number 2 change date</b>	<b>Filter number 3 change date</b>
	N/A	
Notes:-		
<b>YEAR 6</b>		
<b>Filter number 1 change date</b>	<b>Filter number 2 change date</b>	<b>Filter number 3 change date</b>
Notes:-		

YEAR 7		
Filter number 1 change date	Filter number 2 change date	Filter number 3 change date
	N/A	
Notes:-		
YEAR 8		
Filter number 1 change date	Filter number 2 change date	Filter number 3 change date
	N/A	
Notes:-		
YEAR 9		
Filter number 1 change date	Filter number 2 change date	Filter number 3 change date
Notes:-		
YEAR 10		
Filter number 1 change date	Filter number 2 change date	Filter number 3 change date
	N/A	
Notes:-		

**PLEASE LEAVE THIS DOCUMENT WITH THE CUSTOMER FOR FUTURE REFERENCE**



Tel: 0333 987 4690  
Email: [sales@aquatiere.co.uk](mailto:sales@aquatiere.co.uk)

Head office - Aquatiere, Waterside, Christchurch , Dorset BH23 3NZ