



Model No	STANDARD	
NS	PLUS	
	SUPREME	
	ION	

Installation and user guide



(Supreme (ION) shown, please note vessels may vary in design and colour)

For all Aquatiere No Scale Models

Aquatiere, 8a Stag Business Park, Ringwood. BH24 3AS
01425 471221 sales@aquatiere.co.uk

AQUATIERE NO SCALE INSTALLATION

Before installing the No scale unit, please ensure you have the correct model with regard to the water demand and the water hardness/hardness type. Aquatiere can advise if required.

1. INITIAL INSTALLATION CONSIDERATIONS

- Observe water byelaws
- Ensure there is only one incoming water main
- **Be aware of condensation issues in warm areas. Recommend that the main vessel is lagged in pipe lagging to prevent the possibility of this occurring**

2. BEST PLACE TO FIT THE UNIT

- Close to the rising water main
- Recommended not to supply the outside tap
- Do not expose to extreme temperatures

3. NON-RETURN VALVE

- A single check valve should be fitted

4. DRINKING WATER

- As the unit produces drinking water, no separate tap supply is required.

5. COMPONENTS SUPPLIED

- Each model has a relevant fitting kit supplied
- 1" BSP fittings can be supplied on request

6. WATER PRESSURE

- Maximum regulated water pressure – 4 BAR
- Minimum water pressure – 1.5 BAR
- It is important to fit a pressure reducing valve if pressure is likely to exceed 4 BAR

7. PIPE WORK – COPPER MUST NOT BE USED

- **Under no circumstances must copper pipe work be used to within 1- metre either side of the No Scale units. All existing copper pipe should be earth bonded**
- **Plastic pipes should be used to connect to the No Scale Unit 1- metre either side to the incoming and outgoing water supply**
- In new builds or new copper pipe work installations 6- weeks should be allowed to pass with the water system in full use BEFORE the no scale unit is fitted

8. NON MAINS WATER SUPPLIES

- In the event of the water supply being from a well or other natural source, Aquatiere must be contacted before installation

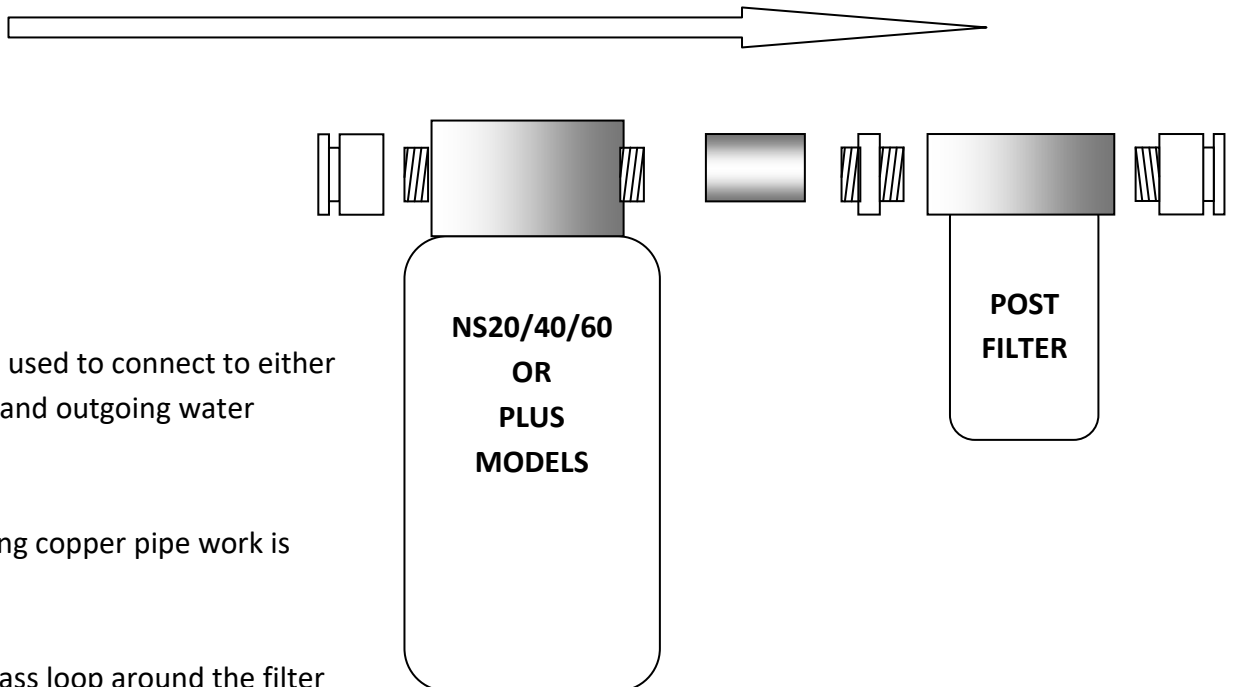
GENERAL FITTING INSTRUCTIONS

Fit the Aquatiere main No Scale unit in a standing, vertical position onto the incoming water main, taking note of the flow direction of the system. For ease of use the unit is supplied with John Guest BSP 22 male Push fit fittings, however for installations where space is an issue, compression fittings can be used with care (ensure threads are wound with PTFE tape and take care not to cross thread). Do not use pipe sealant. Standard units have a port size $\frac{3}{4}$ " BSP . A variation for 60l/min units is available for high flow with 1" BSP ports, but fittings are not supplied, as these units are custom built to meet the property requirements and require the plumber's assessment on what is needed for installation.

REMEMBER TO FIT THE EARTH BONDING STRAPS ON EXISTING COPPER PIPES.

ON NEW BUILDS WITH NEW COPPER PIPES LEAVE ON BYEPASS FOR 6-WEEKS. **(To allow verdigris to build up on the internal surfaces.)**

NO SCALE COMMERCIAL AND PLUS COMPONENT LAYOUT



Plastic pipe to be used to connect to either side to incoming and outgoing water supply

Ensure any existing copper pipe work is earth bonded

A switchable bypass loop around the filter is recommended for ease of servicing.

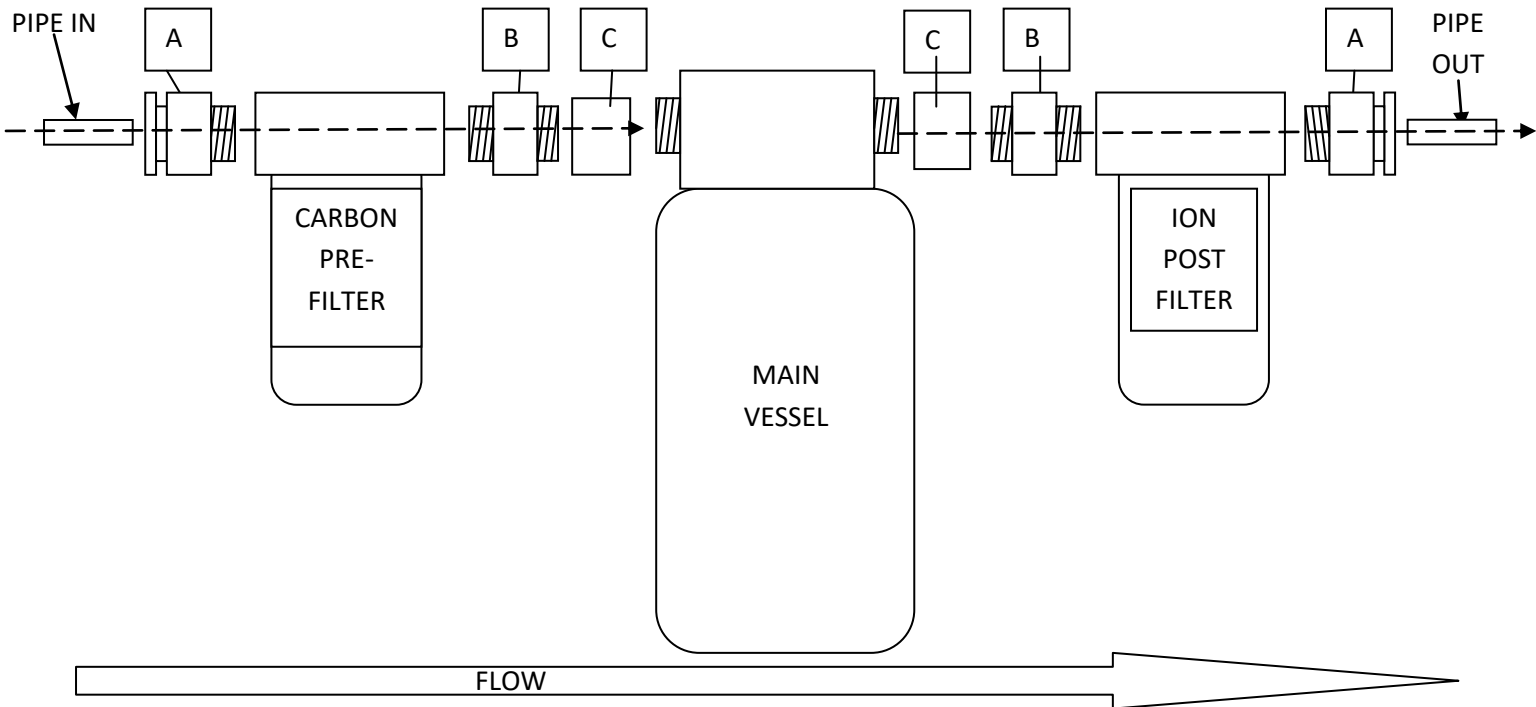
NO SCALE SUPREME (ION EXCHANGE VARIANT)

CONTENTS

A 2 X PUSH FIT 22MM PIPE CONNECTOR

B 2 X THREADED $\frac{3}{4}$ - $\frac{3}{4}$ BSP MALE NIPPLE

C 2 X $\frac{3}{4}$ BSP COLLAR



PLEASE NOTE THIS IS A SUPREME (ION EXCHANGE VARIANT) AND DOES NOT REQUIRE A DOSING POT AS

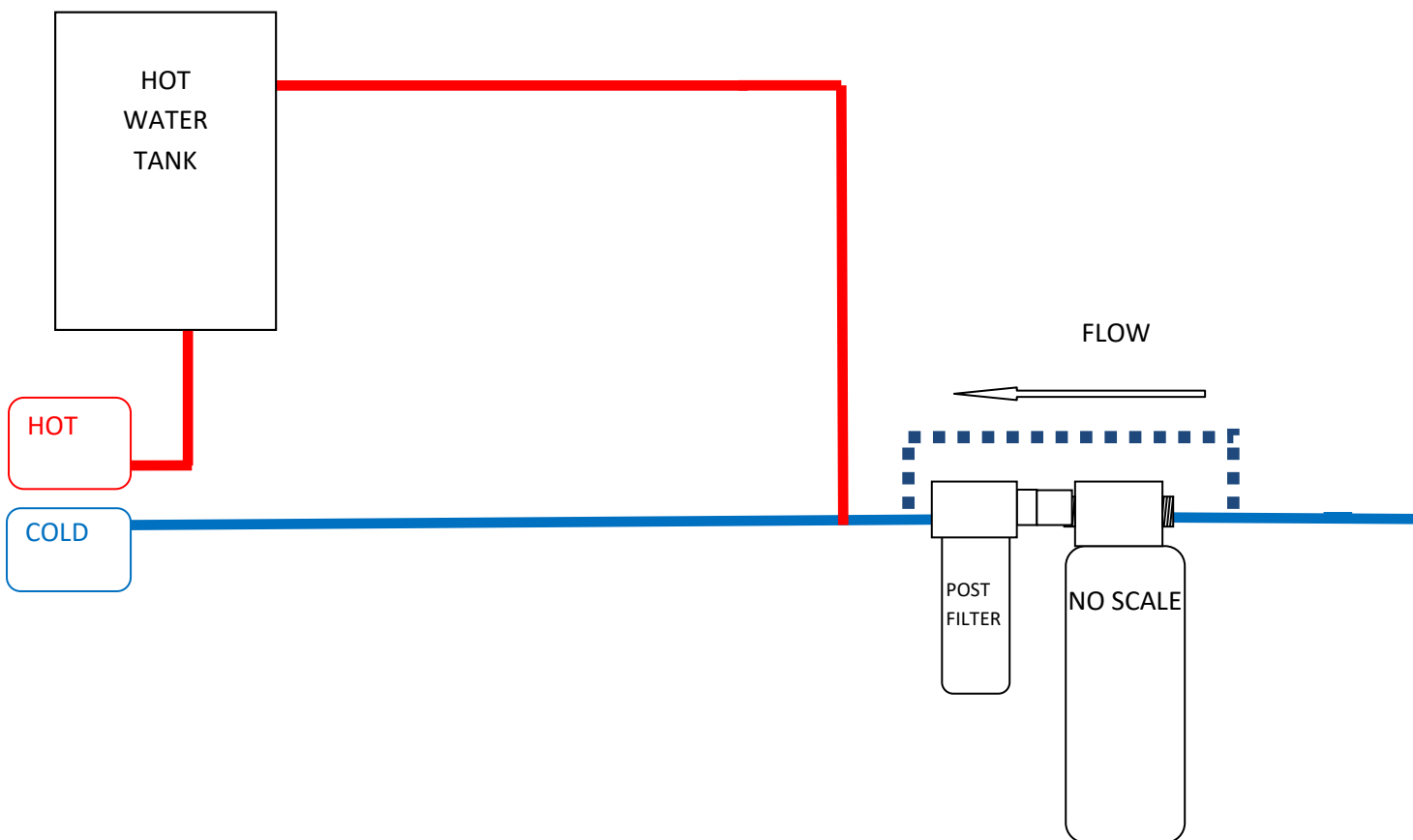
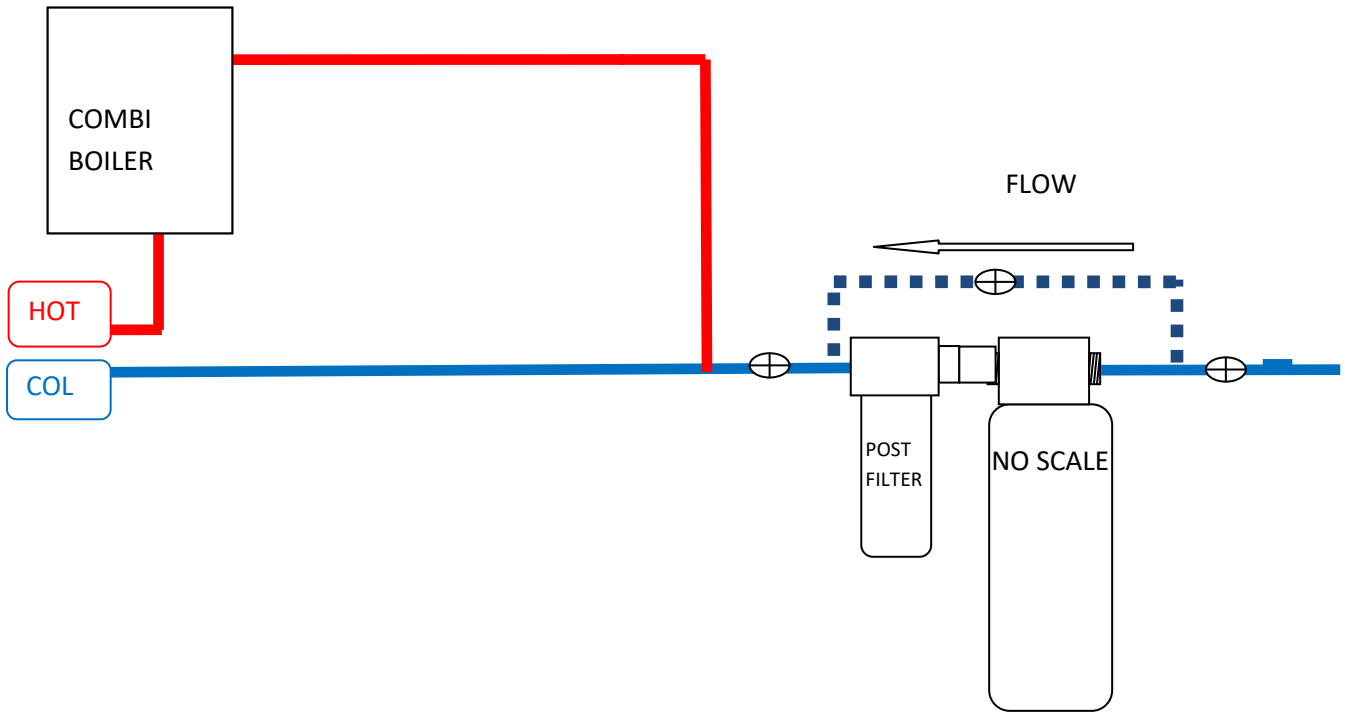
MENTIONED IN THE MAIN INSTRUCTIONS, NOTE THE FILTER SEQUENCE AS THIS DIFFERS FROM THE STANDARD SUPREME MODEL

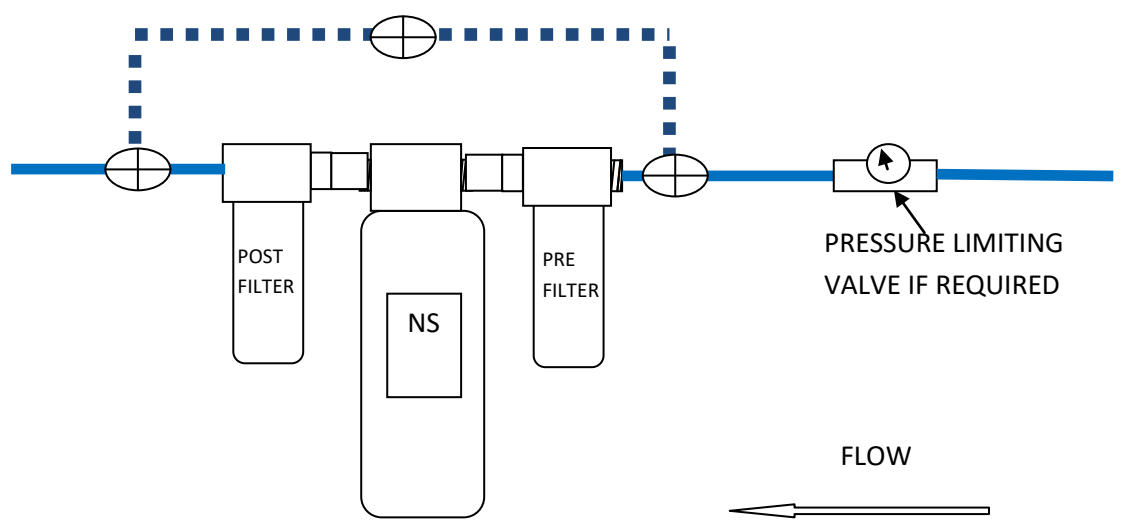
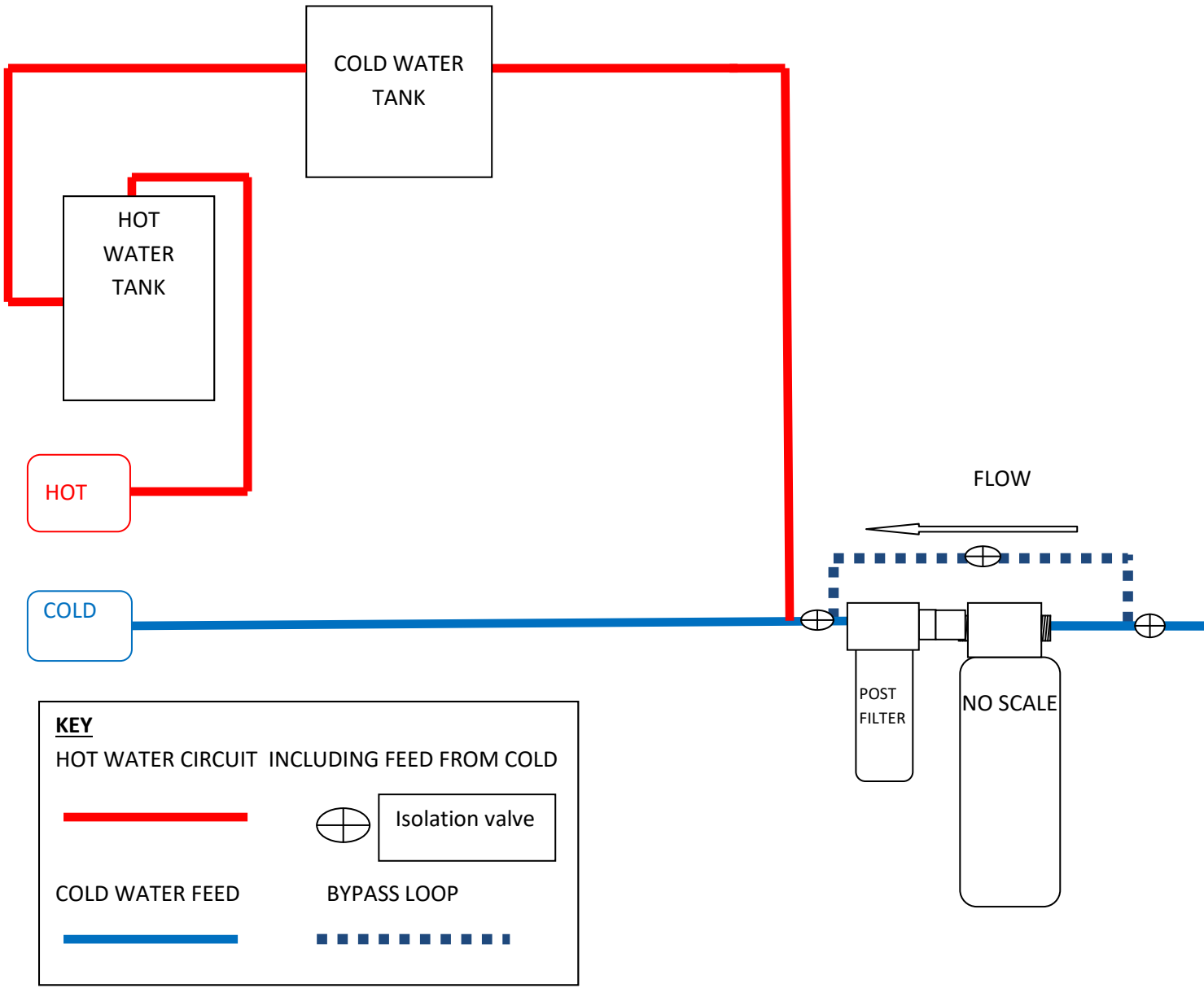
AS WITH ALL NO SCALES PLEASE FIT USING PLASTIC PIPE WITHIN 1 METER OF UNIT , AND FIT A BYPASS WITH ISOLATORS FOR SERVICING .

NO SCALE TYPICAL LAYOUTS

(Please use this along with basic no scale diagram on previous page.)

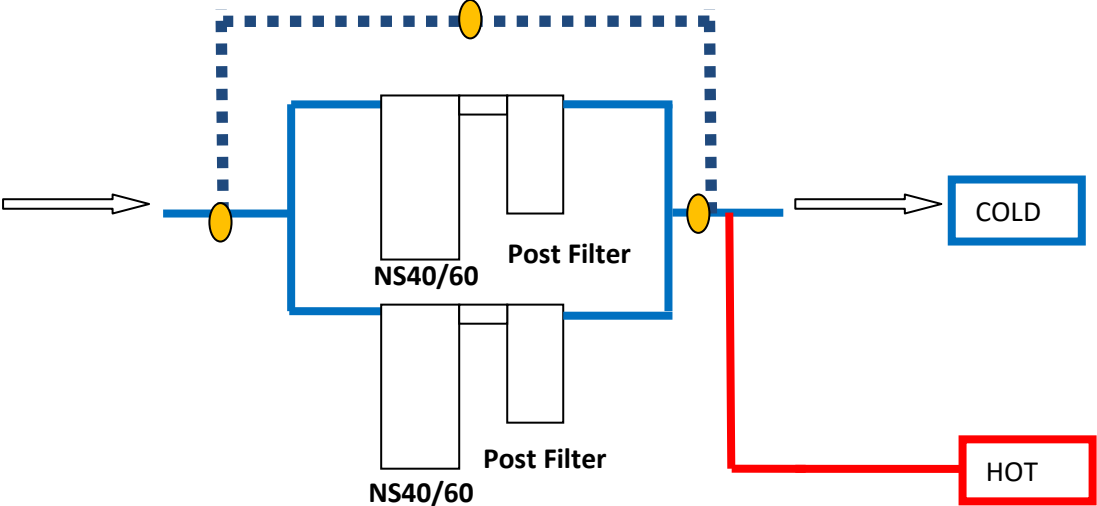
NOTE- The supreme model is fitted in same configuration as below but is not shown in drawings)






DUPLEX FITTING GUIDE DIAGRAM


(please note the diagram should be used as a guide Note this also applies to supreme models with the 3 canister layout)





KEY

HOT WATER CIRCUIT INCLUDING FEED FROM COLD

 ISOLATION VALVE

 COLD WATER FEED

 BYPASS LOOP



TROUBLE SHOOTING GUIDE

NO SCALE SALTLESS WATER SOFTENER

If you experience problems with your no scale unit please carry out the following procedure

1. If a copper by-pass is fitted ensure the pipe work has been cross bonded to ensure conductive continuity is maintained across the pipe work
2. Check the colour of the post filter in its clear housing.
3. Check that new copper pipe work has not been fitted with or immediately prior to the installation of the no scale unit. **(In the case of a new build or refurbishment of your plumbing, the unit must not be fitted or put into operation for at least 8- weeks to allow verdigris to build up on the internal surfaces.)**
4. Check that the unit flow rate is adequate for the plumbing system requirements of the property.
5. Check the kettle. The scale/minerals should form a powder like film to the base and the element which flushes out.
6. If the water is not supplied via the mains i.e. well water etc. A water quality analysis is required.

If you find a discoloured post filter or anything different from above please call 01425 471221 for assistance

Spotting on glass surfaces – this is often caused by aggressive soaps and can be avoided by the use of natural soap based products

Taste and odour of Chlorine- this is an indicator on the No Scale PLUS units that the pre filter cartridge is near the end of its functional life and needs replacement

Significant water pressure reduction- This indicates the post filter cartridge is near its maximum captivation capacity and needs replacement

MAINTENANCE NOTES

The media in the main vessel has a serviceable life of up to 4-5 years. It is recommended a plumber should carry out replacement PLUS or SUPREME model the post filter carbon cartridge should be changed every year:

BASIC NS model the sediment filter should be changed every 4-5 years dependant on water quality

On SUPREME models the ION exchange cartridge should be replaced approximately 3 months, however high flow systems can expire the cartridge faster

INSTALLATION CONDITIONS EFFECTIVE JANUARY 2015

The No Scale units are fully covered by a retrospective 3- year parts only exchange guarantee. The definition of retrospective is if the resin is depleted before the 4-year expected resin life period then the resin replacement will be charged at a retrospective rate i.e. resin failed at 36 months – resin charged at 36/48th of the new replacement cost plus VAT and delivery.

Note:

The guarantee has these conditions, and does not cover the following:

1. Damage caused by excessive water pressure
2. Incorrect installation including connections
3. Fitting onto non-mains supplied water
4. Damage caused by dirty mains water
5. The effect of aggressive water, the degradation and /or blinding of resin and/or chlorine attack on resin
6. Incorrect specification other than Aquatiere
7. Compensation for plumbing costs

No scale service record

Original installation date	
1 st resin change date	
2 nd resin change date	
3 rd resin change date	
4 th resin change date	

Pre - filter or dosing pot service record (if fitted)

Original installation date	
1 st cartridge change date	
2 nd cartridge change date	
3 rd cartridge change date	
4 th cartridge change date	
5 th cartridge change date	
6 th cartridge change date	
7 th cartridge change date	
8 th cartridge change date	
9 th cartridge change date	
10 th cartridge change date	

Post filter service record

Original installation date	
1 st cartridge change date	
2 nd cartridge change date	
3 rd cartridge change date	
4 th cartridge change date	
5 th cartridge change date	
6 th cartridge change date	
7 th cartridge change date	
8 th cartridge change date	
9 th cartridge change date	
10 th cartridge change date	

It is advisable to put a label on the filter to record the installation or last filter change date