

PUREAU FITTING INSTRUCTIONS GUIDE

PLEASE LEAVE THIS DOCUMENT WITH THE CUSTOMER FOR FUTURE REFERENCE



Eau1



Eau2



Eau3

Eau 1, Eau 2 and Eau 3

Assemble the units in order according to the diagrams. Note the flow arrow. Check all brass to plastic joints to ensure proper seal. PTFE tape or LS-X type thread sealant can be used (note some units are pre-assembled).

Mount the filter assembly in a suitable location after the stopcock and fit connect to the incoming water main. **DO NOT USE COPPER PIPEWORK**. Ideally also fit a non-copper bypass loop and isolation valves for servicing.

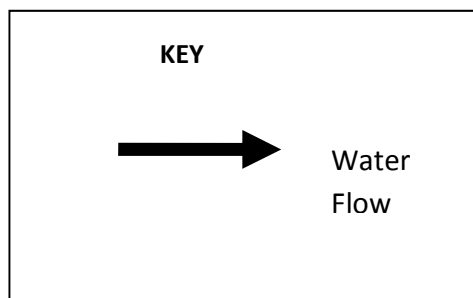
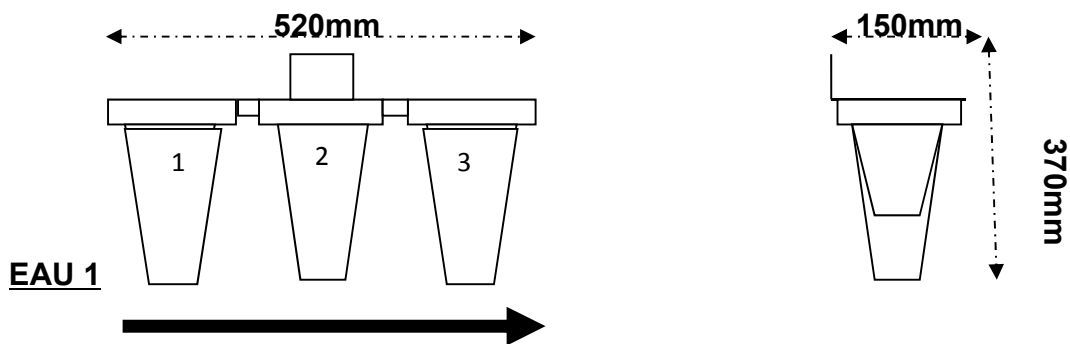
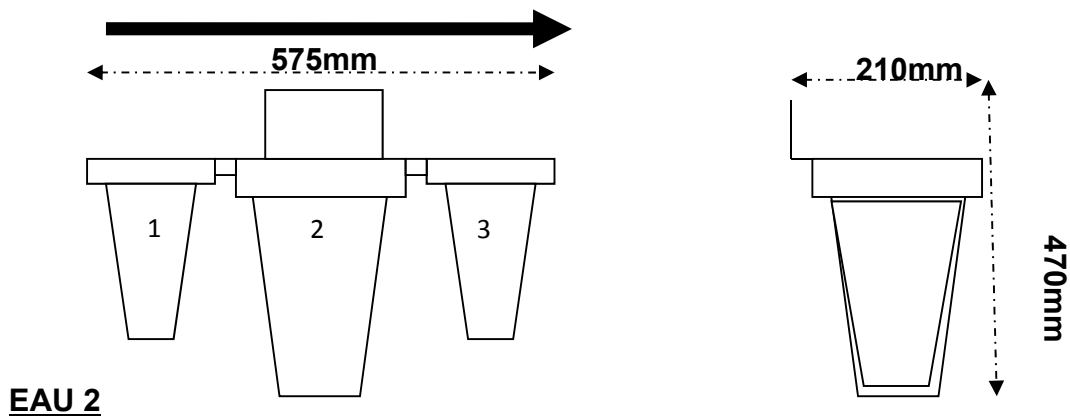
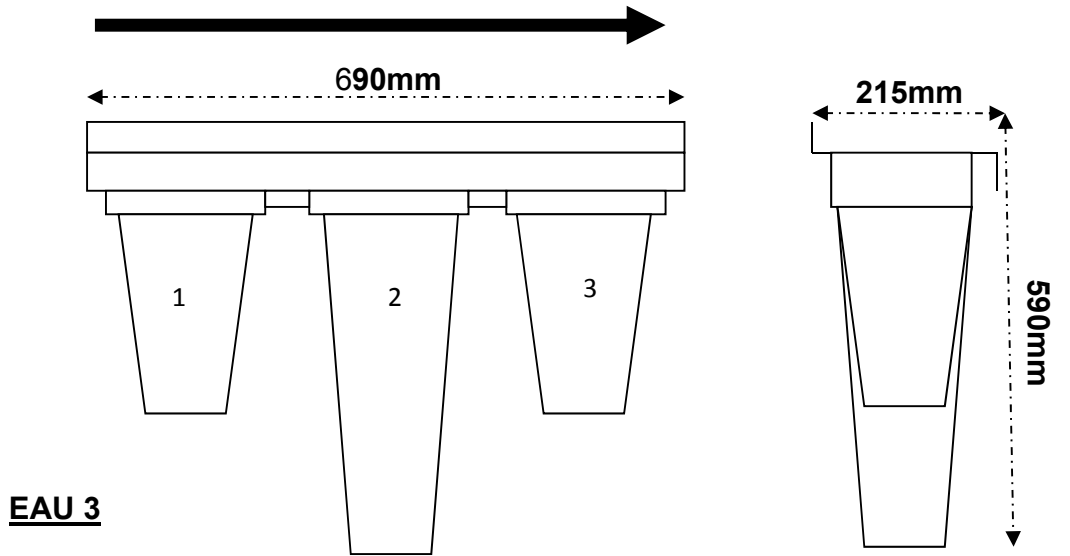
Ensure filter is mounted vertically with clearance for the bowl from each filter to be dropped when changing a cartridge (in the case of the larger unit, a hole can be cut in the bottom of a kitchen base unit to allow for height). The Eau 2 can be placed on a flat surface if mounting via the bracket is not possible.

Always use plastic pipe work in near vicinity of the filter, recommended distance of plastic pipe is a 1-meter run either side (if the unit is to be fitted adjacent to the stop cock then a small length of plastic pipe MUST be fitted between the brass fitting on the stop cock and the Pureau unit)

Units are supplied in either ¾" bsp inlets on smaller models or 1" bsp inlets on our larger model unit (EAU 3)

Aquatière®

Remember to take note of filter sequence and flow direction.



Aquatière®

Fitting Kit Eau 1 & 2

- (Qty 2) 22mm- $\frac{3}{4}$ BSP Push fit Pipe Connections
- Qty (2) $\frac{3}{4}$ - $\frac{3}{4}$ BSP Male Nipple connection
- Qty (1) Mounting Bracket + Screws
- Qty (2) Filter Spanners (Large & Small Filter Housing)
- Qty (1) Fitting Instructions
- Qty(1) Guarantee Return Form Including Prepaid Envelope



Eau 1

Eau 2

Fitting Kit Eau 3

- (Qty 2) 1"- $\frac{3}{4}$ BSP Bush
- Qty (2) 22mm- $\frac{3}{4}$ BSP Push fit Pipe Connections
- Qty (1) Mounting Bracket + Screws
- Qty (2) Filter Spanners (Large & Small Filter Housing)
- Qty (1) Fitting Instructions
- Qty(1) Guarantee Return Form Including Prepaid Envelope



CARTRIDGE CHANGES

The carbon filter (1) is changed every 12- months.

The main filter (2) is changed every 3- years.

The ion exchange cartridge (3) is changed every 3- months dependant on water quality and hardness in your area.

Note: these periods are for average water usage and water hardness.

AQUATIÈRE

6 Stag Business Park
164-166 Christchurch Road, Ringwood,
BH24 3AS
Tel: 01425 471221, Fax: 01425 200425
Email: sales@aquatiere.co.uk
Web: www.aquatiere.co.uk

Technical support and parts
Tel: 01425 471221 office hours
07887 521470 out of hours
Web : www.aquatiere.co.uk
Email: sales@aquatiere.co.uk

